



2088 Series Diaphragm Pump Automatic Demand Pump (12VDC) Standard Pump



Premium Pump w/ cooling fins

Standard

Model 2088-443-144

Description 3.5 GPM open flow,
Santoprene[®] valves,
Santoprene[®] diaphragm, 45
PSI Demand Switch, 1/2"
MSPT ports (1/2" - 14 National
American Straight Pipe
Thread, requires SHURflo
swivel type fittings)

Voltage 12 VDC

PSI	10	20	30	40
BAR	0.7	1.4	2.1	2.8
GPM	2.83	2.56	2.31	2.02
L/min	10.7	9.7	8.7	7.6
Amps	5.8	7.0	8.0	9.1

SPECIFICATIONS:

MODEL NUMBER: 2088-443-144

PUMP DESIGN: Positive Displacement 3 Chamber Diaphragm Pump

CHECK VALVE: (1-Way Operation) Prevents Reverse Flow

CAM: 3.0 Degree

MOTOR: Permanent Magnet, P/N 11-111-00

VOLTAGE: 12 VDC Nominal

PRESSURE SWITCH: Factory Set @ 45 PSI Shut-Off, Turn On 25 ± 5 PSI
Adjustable From 30 to 50 PSI

LIQUID TEMPERATURE: 130 Degrees Fahrenheit (54 Degrees Centigrade) Max.

PRIME: Self-Priming Up To 9 Ft. Vertical,
Max. Inlet Pressure 30 PSI (2.1 Bar)

PORTS: 1/2" - 14 Male Parallel Thread

MATERIAL OF CONSTRUCTION:

PLASTICS- Polypropylene

VALVES- Santoprene

DIAPHRAGM- Santoprene

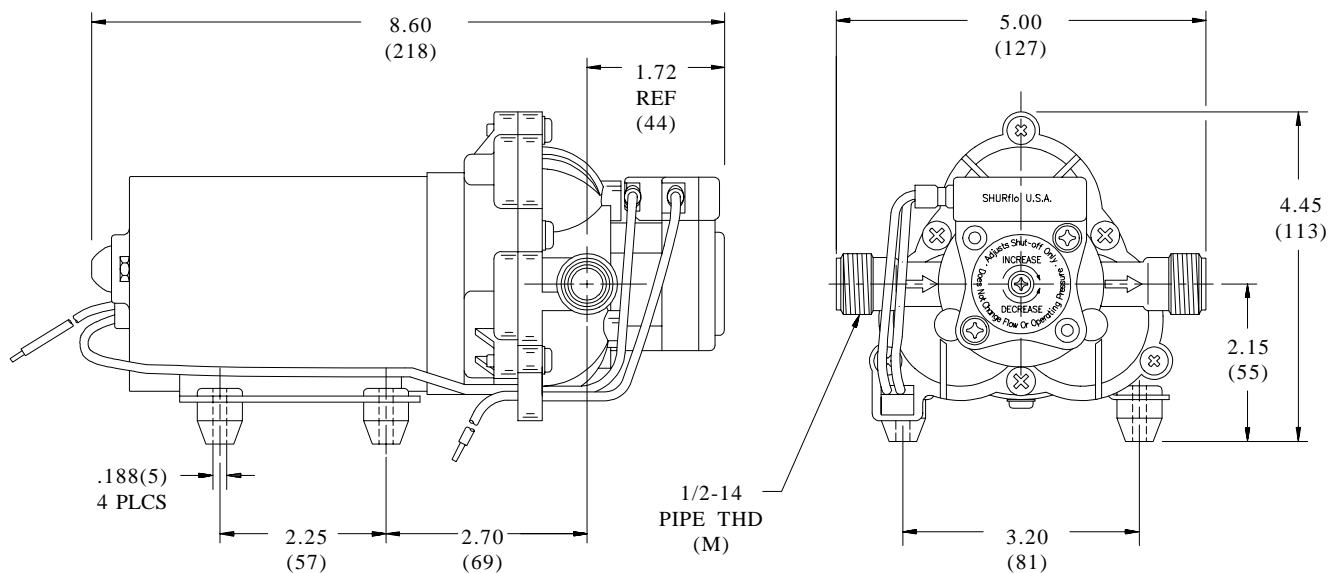
FASTENERS- Zinc Plated Steel

NET WEIGHT: 4.8 Lbs (2.18 Kg)

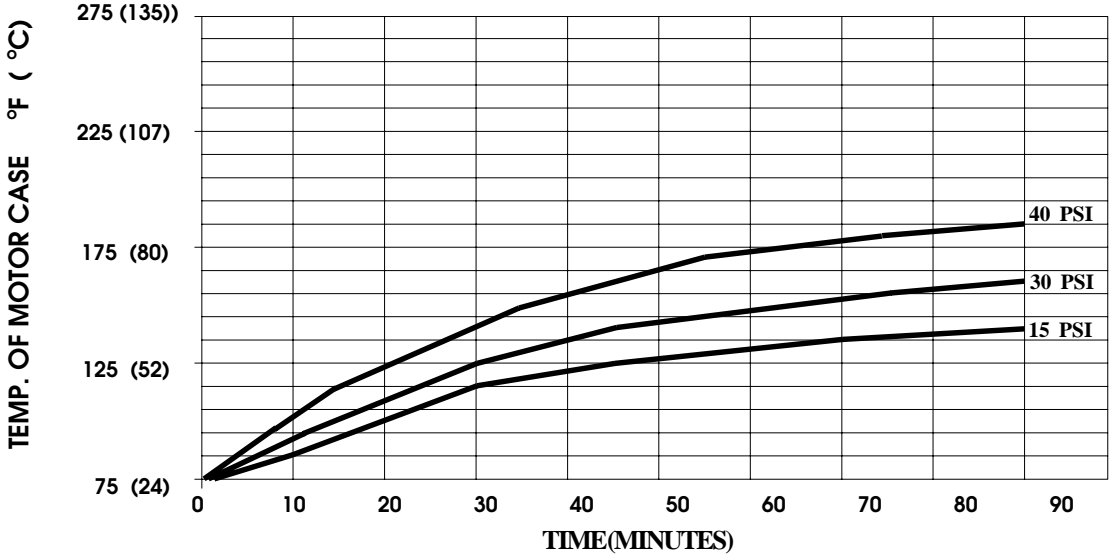
DUTY CYCLE: intermittent (See Temperature Rise Chart)

TYPICAL APPLICATIONS: Water Delivery

DIMENSIONS:

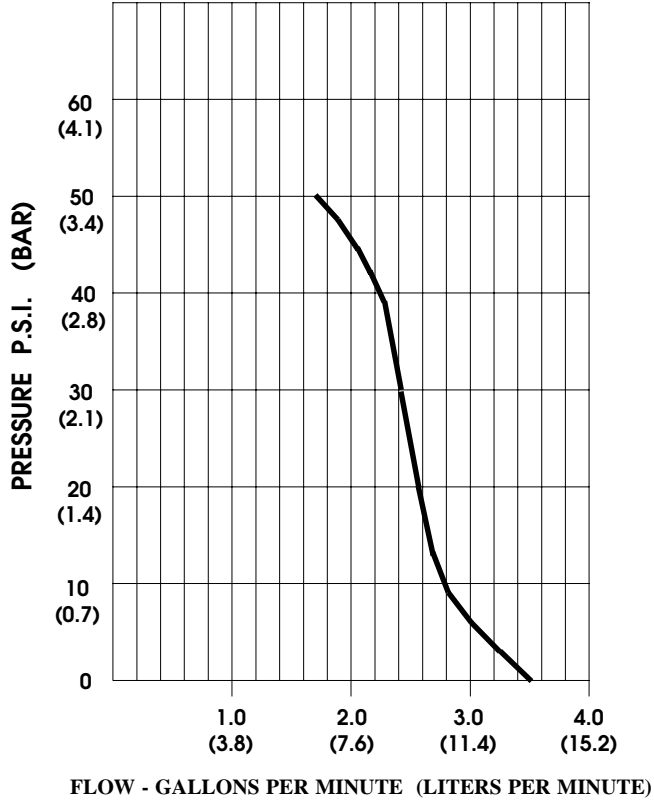


TEMPERATURE RISE



THIS GRAPH IS FOR USE AS A DESIGN GUIDE. IT IS BASED ON RUNNING CONTINUOUSLY WITH AN AMBIENT TEMPERATURE OF 75° F IN STILL AIR.

TYPICAL PERFORMANCE



PRESSURE (PSI)	FLOW (GPM/LIT)	RPM MIN/MAX	CURRENT (AMPS)	VOLTAGE (VOLTS)
OPEN	3.50/13.2	2160/2210	5.3	12 VDC
10	2.83/10.7	2130/2180	5.8	"
20	2.56/9.7	2050/2110	7.0	"
30	2.31/8.7	2015/2030	8.0	"
40	2.02/7.6	1960/1975	9.1	"
50	1.75/6.6	1915/1930	9.9	"

*-SPECIFICATIONS SUBJECT TO CHANGE WITHOUT NOTICE.
-ALL DATA BASED ON TESTING WITH WATER.*